

LEFT SIDE TOOLBOX KIT

GENERAL

Kit Number

64207-89B

Kit Contents

See Figure 1 and Table 1.

NOTE

Lock mechanism accepts barrel-style ignition keys.

INSTALLATION

NOTE

Be careful not to scratch toolbox surface while performing this installation.

1. See Figure 1. Attach toolbox (1) on toolbox mounting bracket (3) using three pan head screws (4) and nuts (5).
2. Remove the two screws (A) which secure right rear fender support cover (B) to the frame (C). Save screws for installation.
3. Remove the footrest mounting bolt (9) and lockwasher (E). Save footrest (D) and lockwasher (E).
4. Remove the two bolts, nuts and washers which secure bottom of splash guard to motorcycle swingarm. This will allow the splash guard to move when installing new passenger footrest bolt.

NOTE

If vehicle is equipped with saddlebag support bracket (90346-90 or 90346-94), position saddlebag support bracket between toolbox bracket and spacer.

5. Slide top of tool box bracket (3) between rear fender support cover (B) and frame (C). Align top holes in bracket with fender support holes. Align lower bracket hole with footrest mounting hole in frame. Install the two screws (A), which were removed in Step 2, in fender support cover (B). Do not tighten screws at this time.

WARNING

Footrests must fold up and toward rear of motorcycle if struck. Failure to set footrests to fold up and back could result in death or serious injury. (00366a)

6. Install bolt (9) with lockwasher (E) through frame (C), toolbox bracket (3) and spacer (10) into footrest. Use spacer washers (7 and 8) (if applicable) for proper thread engagement (0.50 + 0.063 inch [12.7 +1.6 mm]). Verify that washers are properly located. Use washer(s) only if required to achieve proper thread engagement of footrest. Verify there is adequate clearance for use of the kick starter, if equipped.
7. Tighten footrest support bolt (9) to 54 ft-lb (73 Nm).
8. **For 1984 to 1985 models:** Tighten the fender support screws (A) to 40-45 ft-lb (54-61 Nm).
For 1986 and later models: Tighten the fender support screws (A) to 30-33 ft-lb (41-45 Nm).
9. Install the two bolts, nuts and washers which secure fender splash guard to frame.

NOTE

Maximum toolbox weight capacity is 5 pounds (2.25 Kg).

SERVICE PARTS

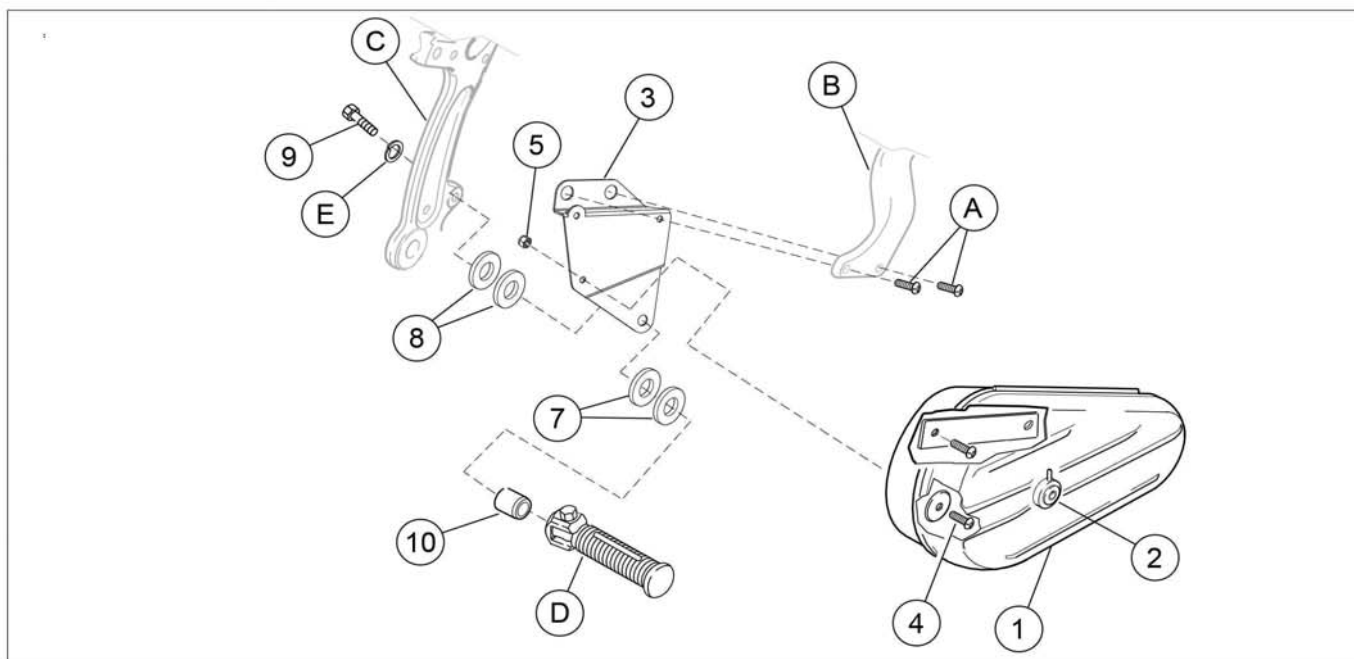


Figure 1. Service Parts: Left Side Toolbox Kit

Table 1. Service Parts: Left Side Toolbox Kit

Item	Description (Quantity)
1	Toolbox (includes item 2)
2	Lock, toolbox
3	Bracket, toolbox mounting
4	Screw, pan head (3)
5	Locknut (3)
6	Key (2), (not shown)
7	Washer (2) (1984-1985 models only)
8	Washer (2) (1986 and later models only)
9	Bolt, footrest
10	Spacer

Item	Description (Quantity)
Item referenced in text, but not included in kit:	
A	Screw, fender support (2)
B	Fender support cover
C	Frame
D	Footrest
E	Lockwasher