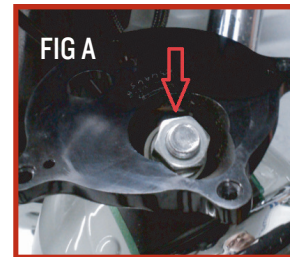




## CAFE GAUGE & HEADLIGHT MOUNT



1. Turn off motorcycle, disconnect the battery, and place securely on a lift or sidestand.
2. Remove the factory headlight mount and speedometer unit.
3. Assemble the RSD speedometer housing onto the upper triple clamp with the supplied 5/16 cap screws (3).
4. **Setting headlight position:** Assemble the factory headlight and RSD headlight mount (6) using the factory hardware (Fig A). Install the headlight and mount onto the underside of the gauge mount using the provided 1/4 cap screws (1 & 2). Once installed connect the battery, turn on headlight, and adjust the headlight by loosening the nut with a 3/4" socket then adjusting. Refer to the HD manual for proper headlight adjustment. Once the position is set tighten the nut to factory specification.



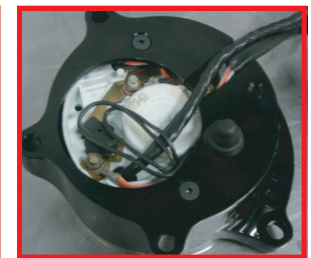
5. **Speedometer installation:** Disconnect the battery and remove the headlight and RSD mount.
6. With the factory speedometer rubber gasket in place, route the speedometer wiring harness through the RSD housing (5), connect to the speedometer, then install the speedometer into the RSD housing.  
**2007-up models:** Make sure the speedometer reset switch lines up with the hole on the underside of the RSD housing and use the 8-32 flat head screws (4) to fasten the speedometer from the rear. Screw on the rubber reset switch cap.  
**1995-2006 Models:** Trim the tabs on the rear of the speedometer as shown below and install using the 8-32 flat head screws (4). Screw on the rubber reset switch cap.

### PRODUCT DESCRIPTION

**CAFE GAUGE & HLIGHT MOUNT:** 1995-UP SPORTSTER XL MODELS EXCEPT XLI200X 0207-2001

**LED INDICATOR LIGHT KIT:** 1995-UP SPORTSTER XL MODELS EXCEPT XLI200X 0207-2003

NOTE: MAY FIT OTHER "NARROW GLIDE" MODELS WITH MODIFICATION





7. If installing the RSD indicator light unit 0207-2003 (sold separately) mount on the underside of the RSD speedometer housing (5) using the supplied 8-32 cap screws and refer to the specific wiring diagrams for your model found to the right on this page.

8. Assemble the headlight and speedometer subassemblies together using the 1/4 caps screws (1 & 2) using blue threadlocker and torque to 12 ft-lbs.

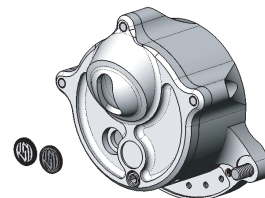


9. Install the complete headlight & speedometer assembly onto the upper triple clamp using the supplied 5/16" cap screws (3) using blue threadlocker and torque to 20 ft-lbs.

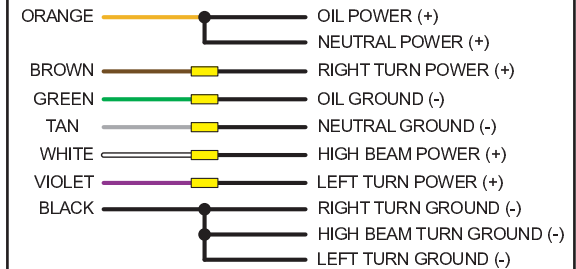


II. Connect the battery and check for proper function.

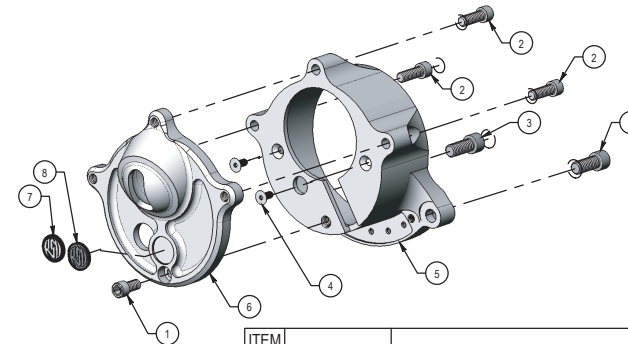
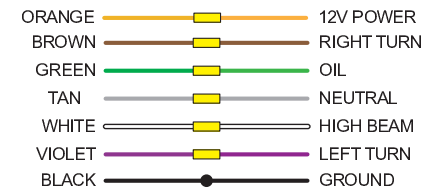
12. The RSD gauge mount is supplied with multiple RSD badges so choose your favorite badge, peel the adhesive backing, adhere to the recess on the headlight mount and go for a ride!



### 1995-2006 Wiring Diagram (10 wires)



### 2007-Up Wiring Diagram (color matched)



ITEM NO.	PART NUMBER	DESCRIPTION	QTY.
1	0101-1004-CH	SHCS 1/4-20 X 1/2 CHROME	1
2	0101-1008-CH	SHCS 1/4-20 X 3/4 CHROME	3
3	0101-2002-CH	SHCS 5/16-18 X 3/4 CHROME	2
4	0103-9010	FHCS 8-32 X 3/8 BLACK OXIDE	2
5	0207-1001	SPEEDOMETER HOUSING, HD XL SPORTSTER 2008-10	1
6	0207-1002	HEADLIGHT MOUNT, HD XL SPORTSTER 2008-10	1
7	0208-0047	RSD BADGE BLACK W/SILVER LOGO	1
8	0208-0048	RSD BADGE ANTIQUE BRASS UNIVERSAL	1