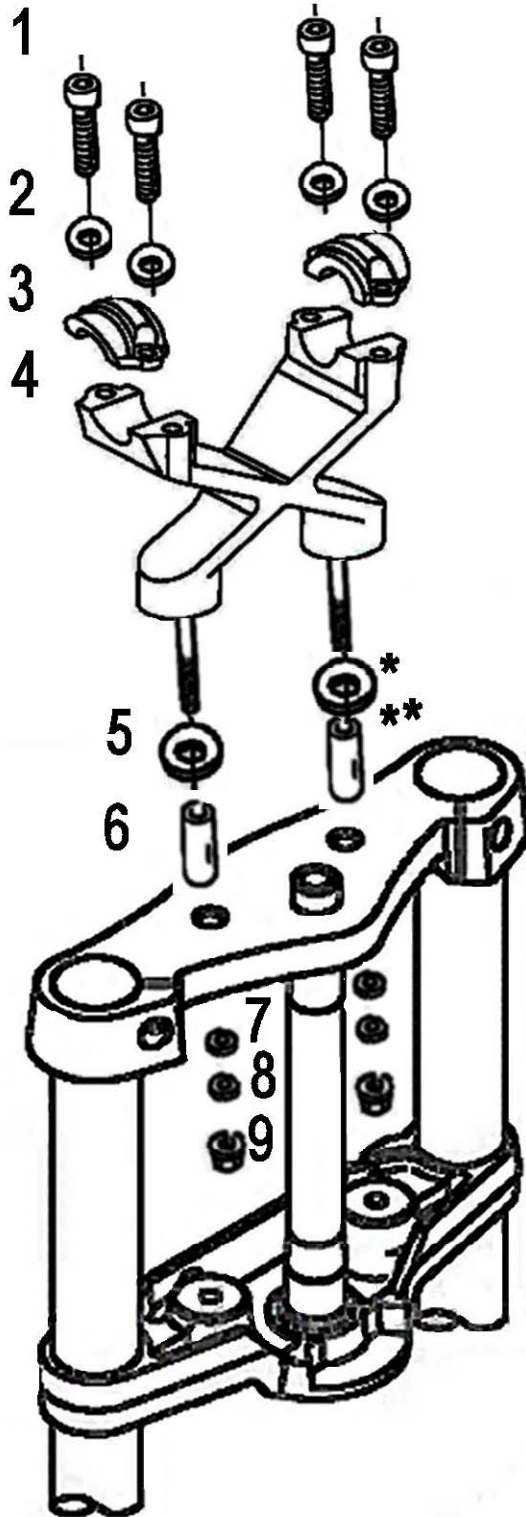


Use for Yoke with 100mm distance M10 M12 and M14



Components

| | | |
|---------------------------------------|---------------------|----|
| 1 | Bolt M8 x 20 | 4x |
| 2 | Springwasher | 4x |
| 3 | Riser Clamp | 2x |
| 4 | Gothic riser | 1x |
| 5 | * Washer Ø34 x 2 | 2x |
| 6 | ** Bush Ø12 x 50 | 2x |
| 6 | ** Bush Ø14 x 50 | 2x |
| 7 | Washer M10 | 2x |
| 8 | Springwasher M10 | 2x |
| 9 | Lock Nut M10 (1.25) | 2x |
| * Required for models with damper kit | | |
| ** Required for Ø14 or Ø12 MM Yoke | | |

This accessory should be mounted by a professional mechanic only.
 MotoLux International B.V. / Highway Hawk can not be held responsible for improper installation.

© Moto-Lux Specialties B.V.
 Barneveld - The Netherlands